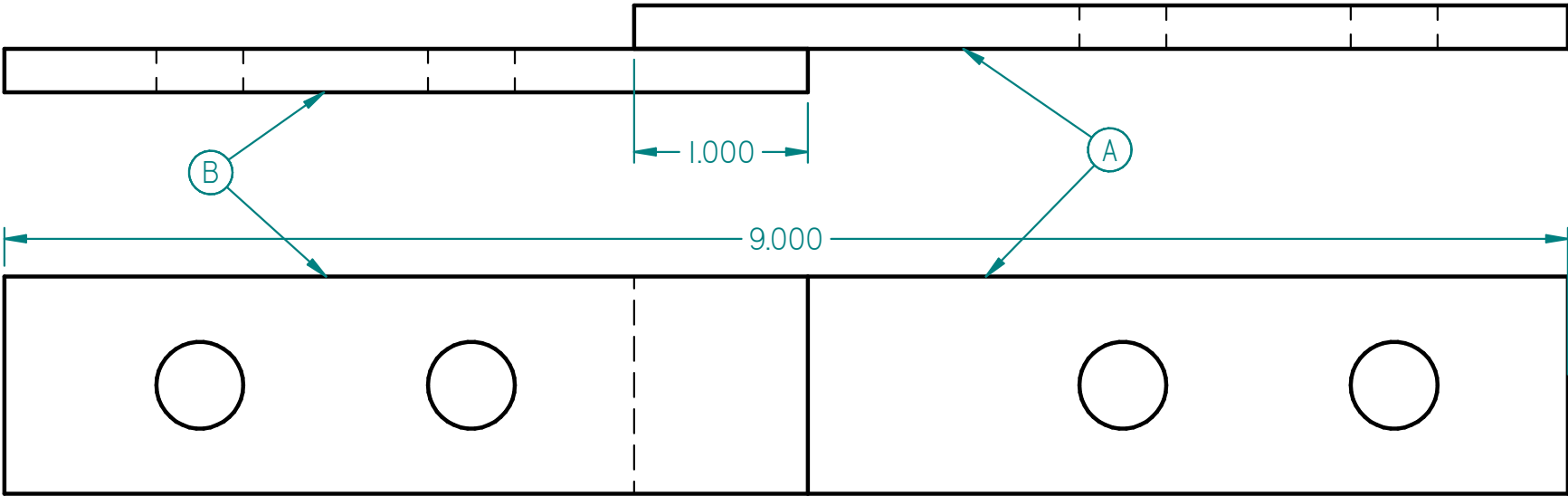
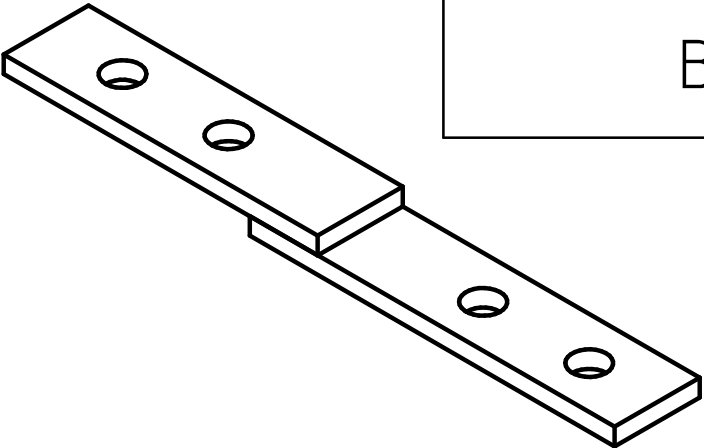


Bracket Assembly



	NAME	DATE	<i>BLUEHANDSINC.COM</i>		
DRAWN	mklotz70	02/18/13			RX-7 Auto/Manual Conversion Brackets
UNLESS OTHERWISE SPECIFIED DIMENSIONS ARE IN INCHES			SIZE A	Welded Brackets	REV A
Material: .25" Mild Steel					
			SCALE: 1:1	SHEET 1 OF 3	